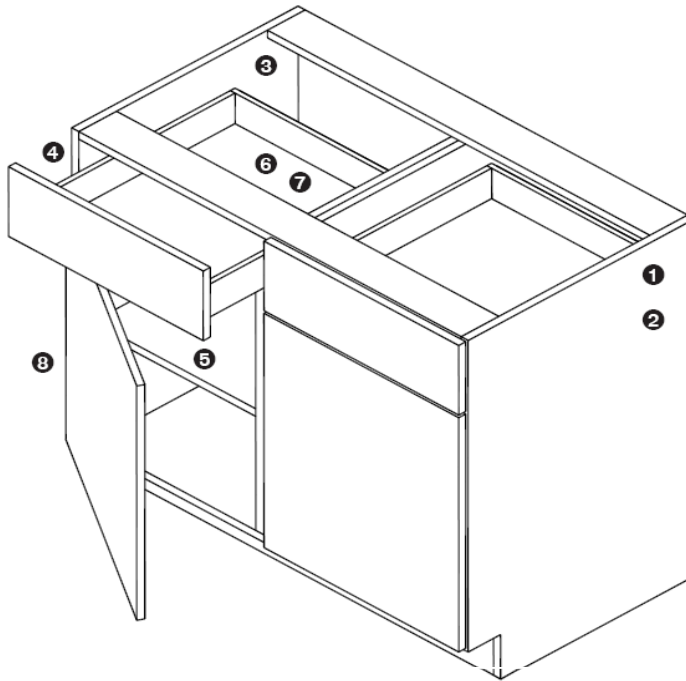


FRAMELESS CABINET CONSTRUCTION (Retail Line)



1 CABINET BOX

3/4" thick plywood box construction includes sides bottom, top and toekicks

1/4" thick plywood back with 1/2" reinforced stretchers

Base cabinets have full width top stretchers across front and back

Cam Lock system is used on all cabinets

Wood dowel is used

2 EXTERIOR

Matching stain interior color

Furniture grade finish

3 INTERIOR

Matching stain exterior color

Furniture grade finish

4 EDGE TAPE

Wood species edge banding with matching stain color

5 ADJUSTABLE SHELVES

3/4" thick for increased durability

Adjustable shelves are full depth, for added storage

Metal shelf clips

6 DRAWERS

5/8" thick drawer sides

1/4" thick bottom

Dovetail joinery

7 DRAWER GUIDES

Undermount self-closing slides on most lines

Highly rated slide system

Undermount soft-closing available as upgrade.

8 HINGES

Fully concealed, 110° opening

Hinges easily adjust and mount